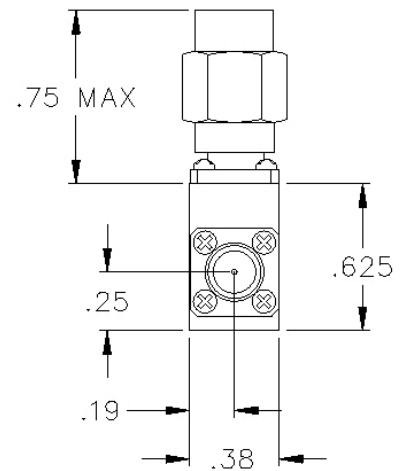
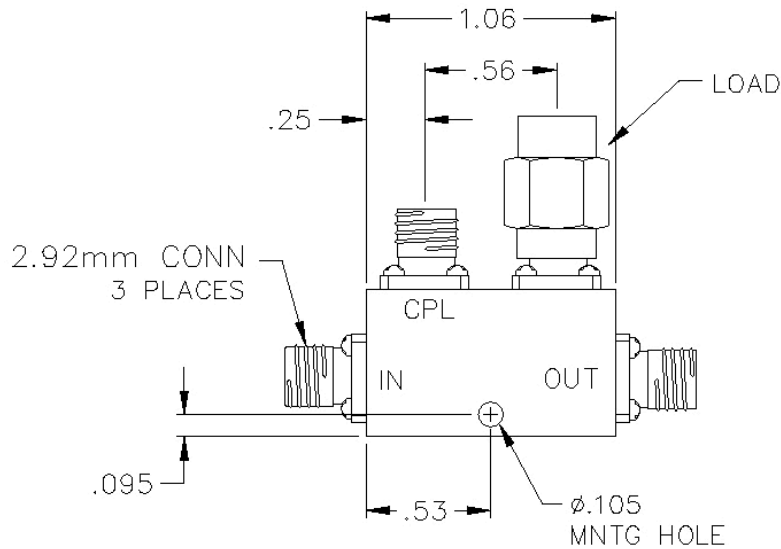
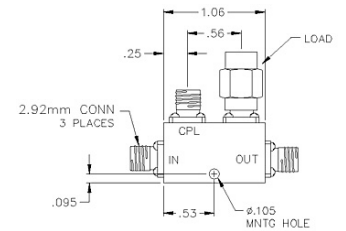


# CS30-50-435/4

## 30 DB 2.92MM DIRECTIONAL COUPLER



## SPECIFICATIONS

Name:	CS30-50-435/4
Frequency Range:	6-27 GHz
Coupling:	30.0 $\pm$ 1.00 dB
Coupling Flatness:	$\pm$ 0.80 dB max.
Insertion Loss:	0.60 dB max.
Directivity:	14 dB Typ. dB min. 13 dB Min. dB min.
VSWR:	1.50:1 max.
Input Power:	25 watts max.
Connector Type:	2.92

Insertion loss does not include coupling loss.  
Input power is specified for load VSWR better than 1.20:1.

This is a commercial off the shelf (COTS) product.  
For an equivalent product that meets DFARS materials compliance, contact sales.  
All specifications are subject to change without notice at any time. Rev: 250327

**PULSAR**  
MICROWAVE CORPORATION